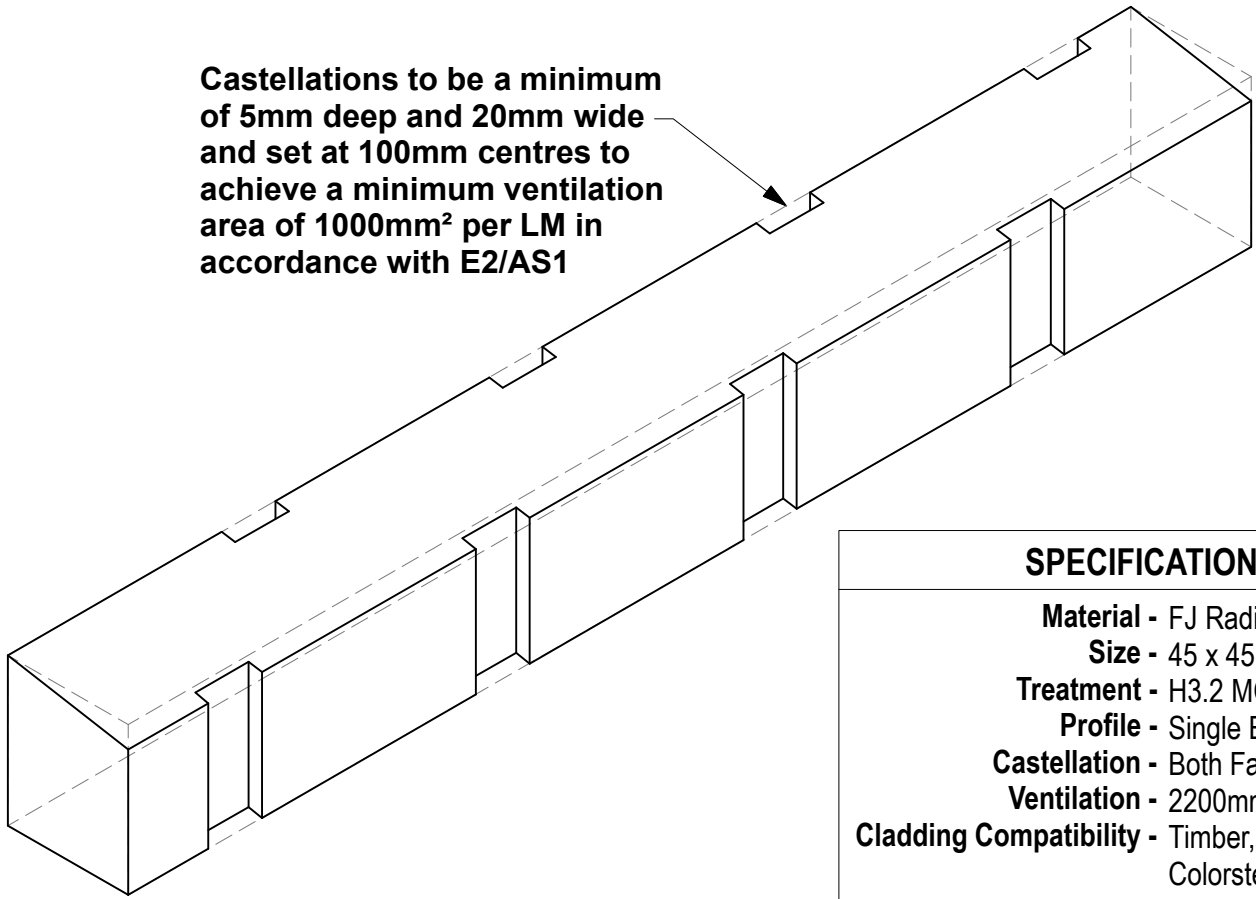
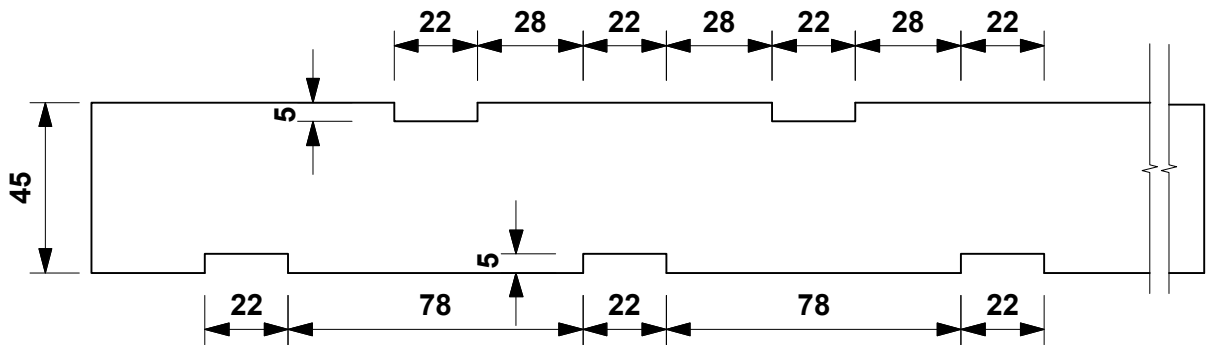


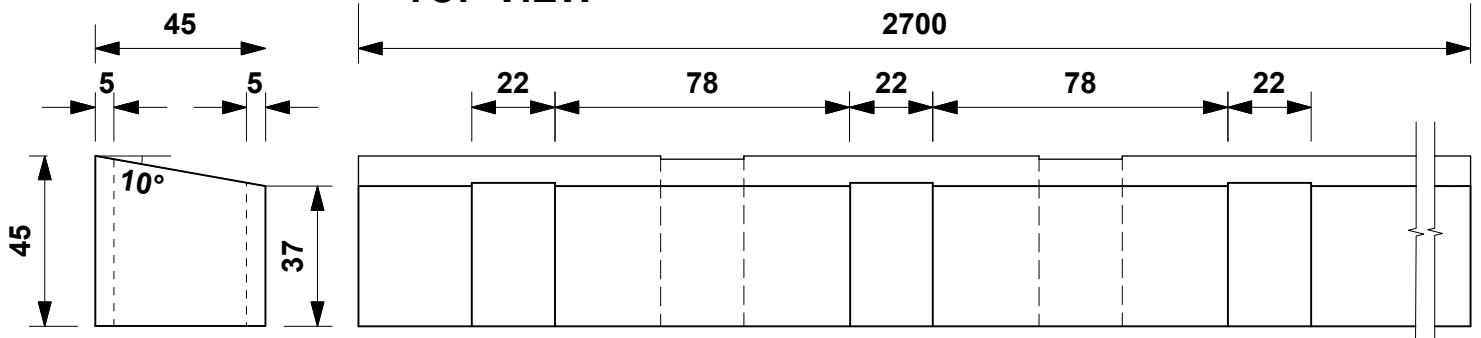
Castellations to be a minimum of 5mm deep and 20mm wide and set at 100mm centres to achieve a minimum ventilation area of 1000mm<sup>2</sup> per LM in accordance with E2/AS1



SPECIFICATIONS	
Material	FJ Radiata Pine
Size	45 x 45mm
Treatment	H3.2 MCA or CCA
Profile	Single Bevel
Castellation	Both Face
Ventilation	2200mm <sup>2</sup> per 1/m
Cladding Compatibility	Timber, Aluminium, Colorsteel.



TOP VIEW



END VIEW

SIDE VIEW

DO NOT SCALE OFF THIS DRAWING

**EB11**

**CASTELLATED TIMBER CAVITY BATTEN**

*2.7m lengths*



**EZYScribe PRODUCTS**  
 38 ANVIL ROAD  
 SILVERDALE  
 AUCKLAND  
 TEL 09 424-8109