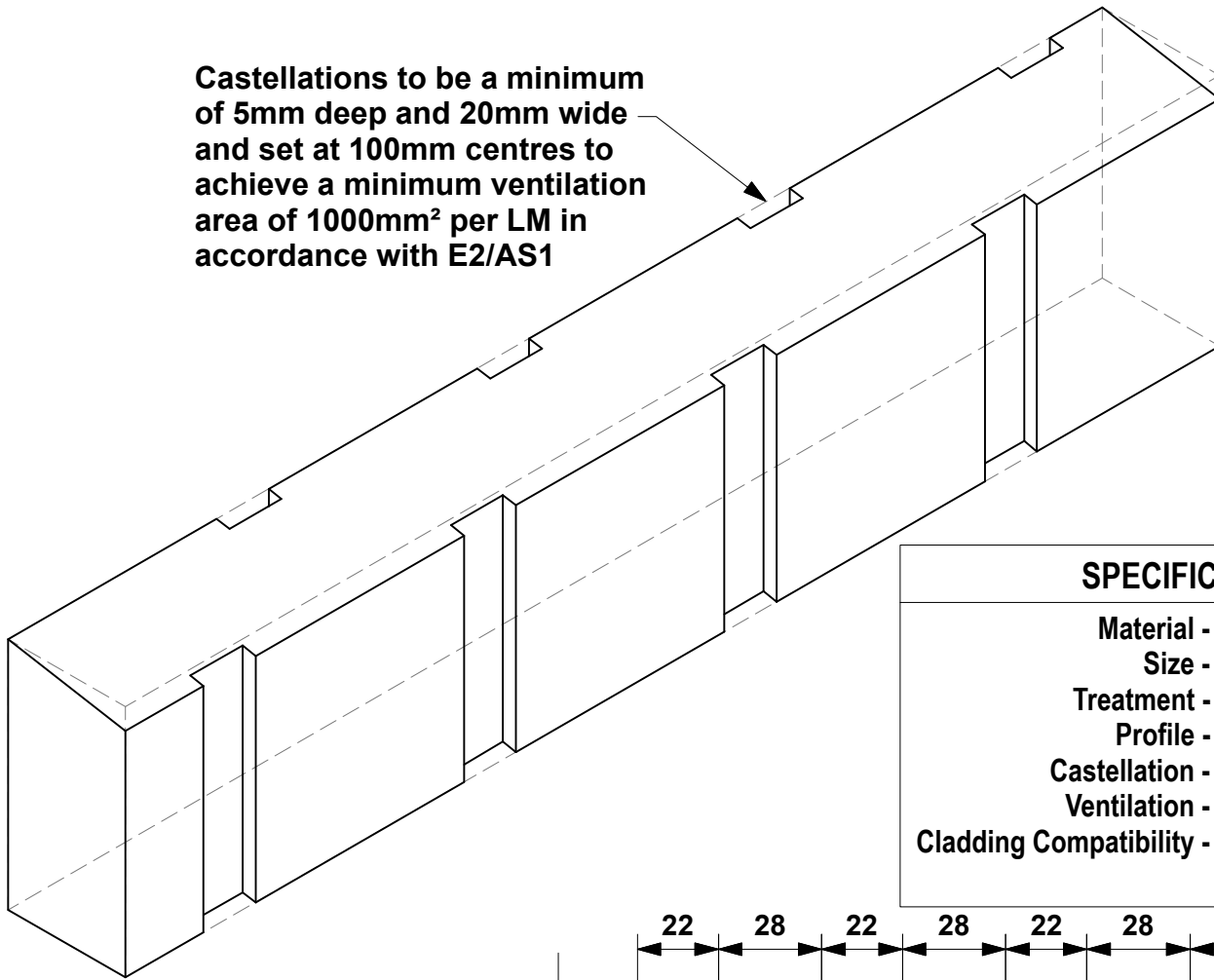
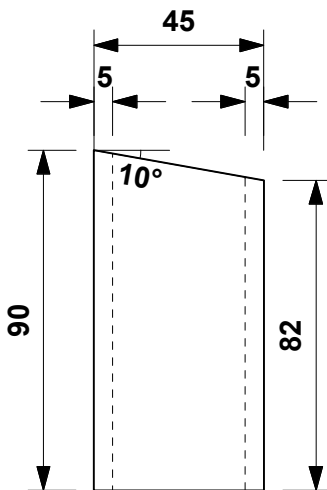
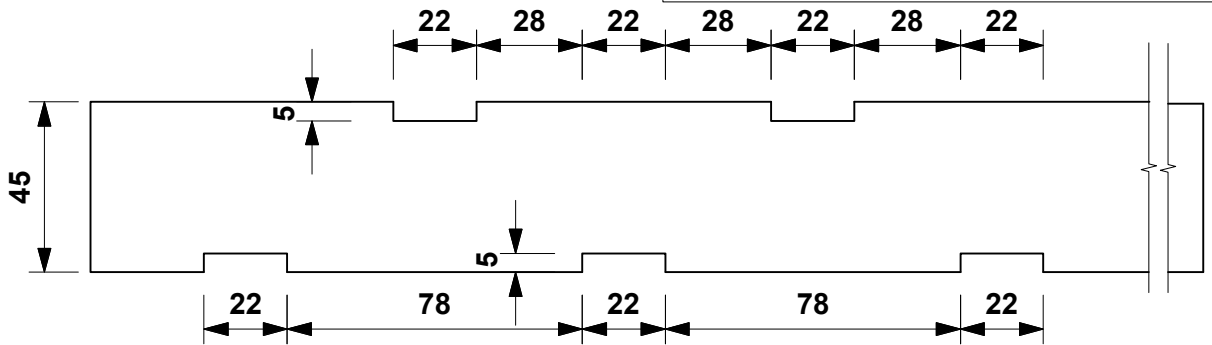


Castellations to be a minimum of 5mm deep and 20mm wide and set at 100mm centres to achieve a minimum ventilation area of 1000mm² per LM in accordance with E2/AS1

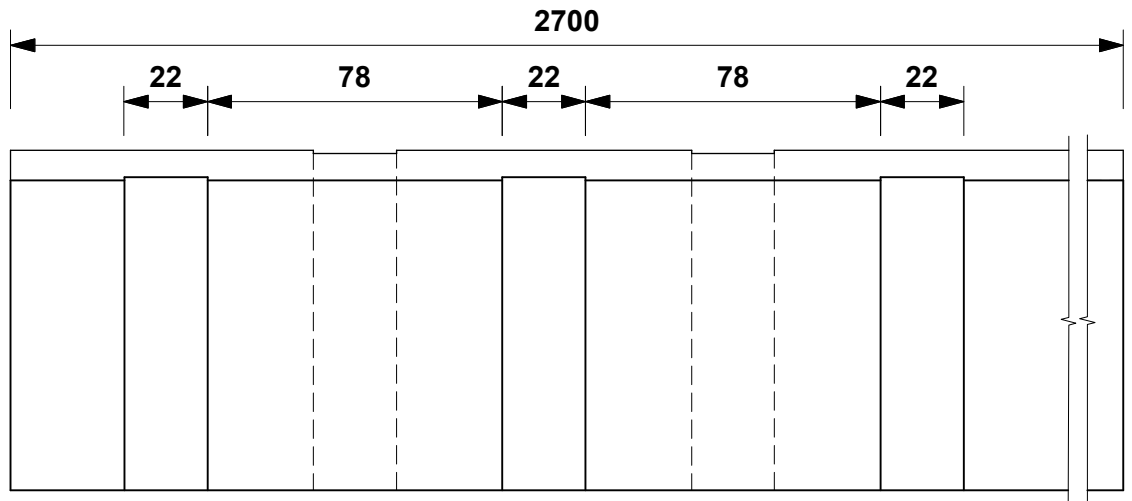


SPECIFICATIONS	
Material	- Radiata Pine
Size	- 90 x 45mm
Treatment	- H3.2 CCA
Profile	- To Order
Castellation	- Both Face
Ventilation	- 2200mm ² per 1/m
Cladding Compatibility	- Timber

TOP VIEW



END VIEW



SIDE VIEW

DO NOT SCALE OFF THIS DRAWING

EB10

EZYScribe PRODUCTS
38 ANVIL ROAD
SILVERDALE
AUCKLAND
TEL 09 424-8109



CASTELLATED TIMBER CAVITY BATTEN

2.7m lengths

EZYScribe
PRE-CUT SCRIBER & CAVITY BATTEN